



Alfa Laval AlfaCond 600

Gasketed plate-and-frame heat exchanger for condensing applications

Alfa Laval AlfaCond is a plate surface condenser designed for condensation under vacuum. AlfaCond is based on Alfa Laval's semi-welded technology. Vapour condenses in the welded channel while the cooling medium passes through the gasketed channel. In addition to stainless steel, the plates are also available in titanium, which makes it possible to use sea water as a cooling medium.

Applications

- Biotech and Pharmaceutical
- Chemicals
- Energy and Utilities
- Food and Beverages
- Marine and Transportation
- Mining, Minerals and Pigments
- Pulp and Paper
- Water and Waste treatment

Benefits

- Optional sub-cooling of condensate and non-condensable gases
- Flexible configuration – heat transfer area can be modified
- Easy to install – compact design
- High serviceability – easy to open for inspection and cleaning and easy to clean by CIP
- Access to Alfa Laval's global service network

Features

Every detail is carefully designed to ensure optimal performance, maximum uptime and easy maintenance. Selection of available features:

- 5-point alignment system
- Reinforced hanger
- Glued gasket
- Bearing box
- Fixed bolt head
- Key hole bolt opening
- Lifting lug
- Lining
- Lock washer
- Pressure plate roller
- Tightening bolt cover



Extending performance

with Alfa Laval 360° Service Portfolio

Our extensive services ensure top performance from your Alfa Laval equipment throughout its life cycle. The availability of parts and our team's commitment and expertise bring you peace of mind.

Start-up

- Installation
- Installation Supervision
- Commissioning

Maintenance

- Cleaning Services
- Reconditioning
- Repair
- Service Tools
- Spare Parts

Support

- Exclusive Stock
- Technical Documentation
- Telephone Support
- Training
- Troubleshooting

Improvements

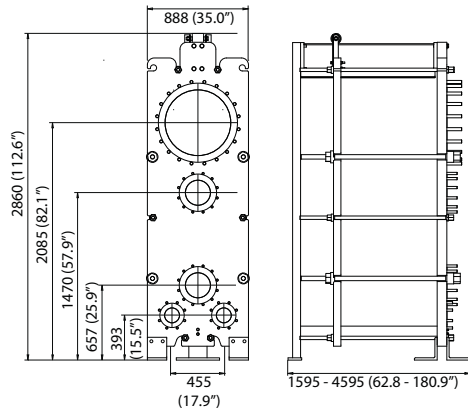
- Equipment Upgrades
- Redesign
- Replacement and Retrofit

Monitoring

- Condition Audit
- Performance Audit

Dimensional drawing

Measurements mm (inches)



Technical data

Plates

Name	Type	Free channel, mm (inches)
AC600-W	Semi-welded	11 / 3 (0.43 / 0.12)

Materials

Heat transfer plates	316/316L Ti
Field gaskets	NBR, EPDM
Ring gaskets	NBR, EPDM, FKM
Flange connections	Metal lined: stainless steel, titanium
Frame and pressure plate	Carbon steel, epoxy painted

Other materials may be available on request.

All option combinations may not be configurable.

Operational data

Frame, PV-code	Max. design pressure ¹ (barg/psig)	Max. design temperature (°C/°F)
FM, pvcALS	6.0/87 (10.0/145)	160/320 (160/320)
FM, ASME	6.2/90 (11.0/159)	160/320 (160/320)
FM, PED	6.0/87 (10.0/145)	160/320 (160/320)

1. Values for Vapour channel (Cooling media channel)

Extended pressure and temperature rating may be available on request.

Connections

Vapour inlet	EN1092-1 DN600 PN10 ASME B16.5 Class 150 NPS 24 JIS B2220 10K 600A
Condensate outlets	EN1092-1 DN150 PN10 ASME B16.5 Class 150 NPS 6 JIS B2220 10K 150A
Cooling media inlet and outlet	EN1092-1 DN250 PN10 ASME B16.5 Class 150 NPS 10 JIS B2220 10K 250A

How to contact Alfa Laval

Contact details for all countries are continually updated on our website. Please visit www.alfalaval.com to access the information direct.